

BioBlue.Lab

HIGHLIGHTS

- ✓ Microscopes for laboratories
- ✓ Binocular and trinocular versions
- ✓ Standard WF10x/20 mm eyepieces
- ✓ Reversed quadruple nosepiece
- ✓ Plan and Plan Phase objectives
- ✓ Infinity optical system
- ✓ Integrated mechanical stage
- ✓ NeoLED illumination
- ✓ Ergonomically carrying grip
- ✓ 10 years warranty



BB.1153-PLi

BB.1152-PLi

Specifications

Eyepieces

DIN WF10x/20 mm

Head

Binocular and trinocular with 30° inclined tubes

Nosepiece

Revolving quadruple reversed nosepiece on ball-bearings

Objectives – IOS infinity corrected system

4x/0.10, 10x/0.25, S40x/0.65, S100x/1.25-oil plan IOS objectives

10x/0.25, 20x/0.20, S40x/0.65, S100x/1.25-oil plan phase IOS objectives

All optical parts are anti-fungus treated

Stage

140 mm x 150 mm mechanical stage with integrated rack less X-Y stage with 75 x 40 mm travel

Condenser

In height adjustable N.A. 1.25 Abbe condenser

In height adjustable N.A. 1.25 Zernike phase contrast condenser

Focusing adjustment

Coaxial coarse and 200 µm fine adjustments, 2 µm precision

Friction adjustment

Illumination

Intensity adjustable NeoLED illumination with internal power supply



Models	Bino	Trino	4x/10x/S40x/S100x Plan IOS	10x/20x/S40x/S100x Plan Phase IOS	Mechanical stage	NeoLED
BB.1152-PLi	•		•		•	•
BB.1153-PLi		•	•		•	•
BB.1152-PLPHi	•			•	•	•
BB.1153-PLPHi		•		•	•	•

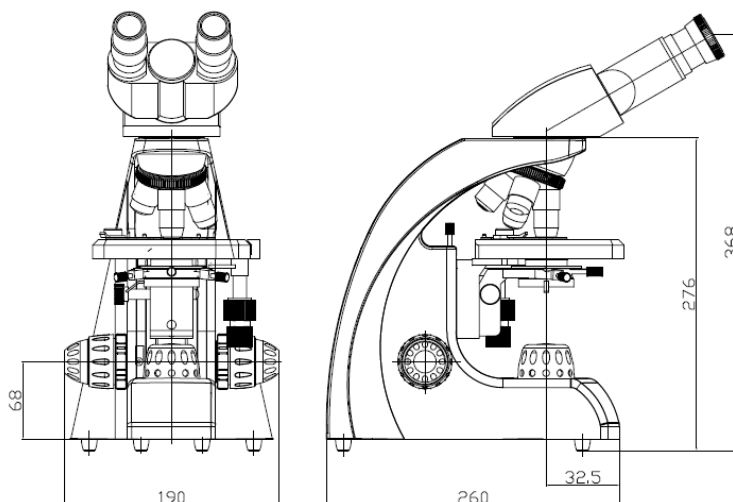
Accessories & spare parts

BB.6010 WF10x/20 mm eyepiece
 BB.6015 WF15x/15 mm eyepiece
 BB.6110 WF10x/20 mm eyepiece with micrometer reticle
 BB.6020 WF20x/11 mm eyepiece
 BB.6099 Eyeshade

BB.7204 Plan IOS DIN 4x/0.10 objective
 BB.7210 Plan IOS DIN 10x/0.25 objective
 BB.7240 Plan IOS DIN S40x/0.65 objective
 BB.7200 Plan IOS DIN S100x/1.25-oil objective

BB.7710 Plan Phase IOS DIN 10x/0.25 objective. Working distance 4,7 mm
 BB.7720 Plan Phase IOS DIN 20x/0.40 objective, working distance 1,7 mm
 BB.7740 Plan Phase IOS DIN S40x/0.65 objective, working distance 0,7 mm
 BB.7700 Plan Phase IOS DIN S100x/1.25-oil objective, working distance 0,5 mm

PB.5155 Microscope glass slides 76 x 26 mm, edges grinded, 50 pcs
 PB.5168 Cover glasses 22 x 22 mm, thickness, 0,13-0,17, 100 pcs
 PB.5245 Lens cleaning paper, 100 sheets
 PB.5255 Immersion oil n = 1,482, 25 ml


BioBlue.Lab versus BioBlue


Datasheet v.426261