

EasyLED Spotlight Plus

Ergonomic and compact illumination system for stereo microscopy and macroscopy



The SCHOTT **EasyLED Spotlight Plus** System has been specifically developed for microscopy illumination tasks. Each lighthouse offers powerful 140 lm and due to its special construction allows optimal heat dissipation over the cooling fins so that the illuminated objects will not be heated. For the Double Spotlight Plus the user can select one or both lighthouses for ideal contrast by repeatedly pressing the On-button. For the integrated ergonomic control unit various mounting adaptors and stand-alone solutions are available.

The EasyLED Spotlight Plus Systems comes with an external wide range of power supply (100-240 V; 50-60 Hz). It has been approved and certified as laboratory equipment and is in compliance with the CE regulations.

Features:

- Spotlight Plus adaptors for all stands plus stand-alone version available
- Double Spotlight Plus with switching feature: LED head 1 ON, LED head 2 A, both LED heads ON, both LED heads off, etc.
- Max. light flux: 130 lm each spot

EasyLED Spotlights

Ergonomic and compact illumination system for stereo microscopy and macroscopy



Spotlight



Spotlight Plus

Features Spotlight

- High brightness power LED
- Easy adaption at goosenecks, articulating arms and microscopes
- Compact controller for continuous dimming (0 - 100 %) and separate on/off switch
- Total light flux: 40 lm

Features Spotlight Plus

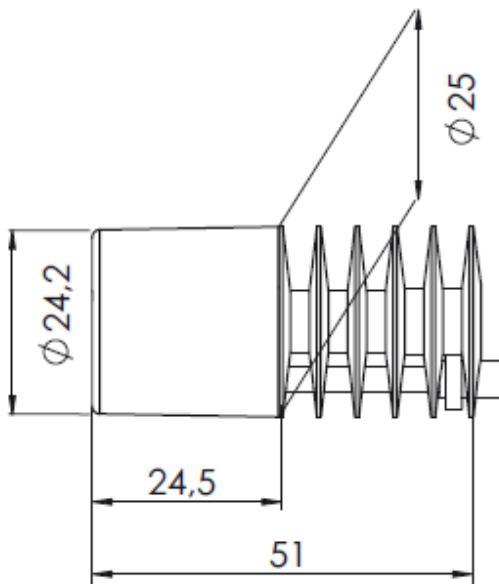
- Spotlight Plus adaptors for all stands plus stand-alone version available
- Double Spotlight Plus with switching feature: LED head 1 ON, LED head 2 A, both LED heads ON, both LED heads off, etc.
- Max. light flux: 130 lm each spot

Spotlights	Part.No.	Front lens	Max. light flux	Adaption thread	Power Supply
Spotlight	600 100	17 mm (0.67")	40 lm	M6	5 V, DC
Double Spotlight	600 120	2 x 17 mm (0.67")	2 x 40 lm	2 x M6	5 V, DC
Spotlight Plus System	600 101	17 mm (0.67")	130 lm	various	5 V, DC
Double Spotlight Plus System	600 121	2 x 17 mm (0.67")	2 x 130 lm	various	5 V, DC

Mounting Adaptors for Spotlight Plus System

bracket for column Ø 25 mm	120 225
bracket for column Ø 29 mm	120 229
bracket for column Ø 32 mm	120 232
bracket for column Ø 35 mm	120 235
Base for stand-alone application	158 340
Bracket for stand-alone application	120 250

EasyLED Spotlights



EasyLED Spotlight Plus and Spotlight Plus

All specifications are subject to change without prior notice. This datasheet or any extracts thereof may only be used in other publications with express permission of SCHOTT. © SCHOTT AG

Lighting and Imaging
SCHOTT AG
Hattenbergstrasse 10
55122 Mainz
Germany
Phone: +49 (0) 6131/66-7796
Fax: +49 (0) 6131/66-7850
lightingimaging@schott.com
www.schott.com/lightingimaging

SCHOTT
glass made of ideas