

AP series

HIGHLIGHTS

- Small and robust
- Binocular heads with vertical or 45° inclined tubes
- Secured WF10x/20 mm eyepieces
- Magnifications: 10-120x
- Pillar stands with and without illumination
- LED illumination for cordless use

TECHNICAL SPECIFICATIONS

EYEPIECE(S)

- Pair of secured wide field eyepieces WF10x/20 mm
- Supplied with eyecups

HEAD

- Binocular head with vertical or 45° inclined tubes
- One tube supplied with diopter adjustment
- Interpupillary distance from 55 to 75 mm

OBJECTIVES

- The AP-1 and AP-2 models are as a standard supplied with a 2x magnification objective in slider
- The AP-7 LED models are supplied with revolving 1x/3x objectives for total magnification of 10 and 30x with field of views from 20 to 6.7 mm
- The AP-8 and AP-8 LED models are supplied with revolving 2x/4x objectives for total magnification of 20 and 40x with field of views from 10 to 5 mm
- All optics are anti-fungus treated and anti-reflection coated for maximum light throughput

STAND

- Pillar stand with a 40 mm coarse adjustment
- Supplied with black/white object plate and 2 object clamps, models with transmitted illumination are also supplied with a glass object plate

ILLUMINATION

- The AP-1 is supplied without illumination
- The AP-2 is supplied with an incident 10 W 12 V Tungsten illumination and internal power supply
- The AP-8 is supplied with a transmitted and incident 10W 12V tungsten illumination and internal power supply
- The AP-7 LED and AP-8 LED models are supplied with a transmitted and incident LED illumination with 3 rechargeable batteries for maximum 35 hours cordless operation. With external mains adapter/charger

CAMERAS

- Euromex offers a wide range of industrial and education grade cameras
- The camera replaces one of the eyepieces
- Find our cameras on our website



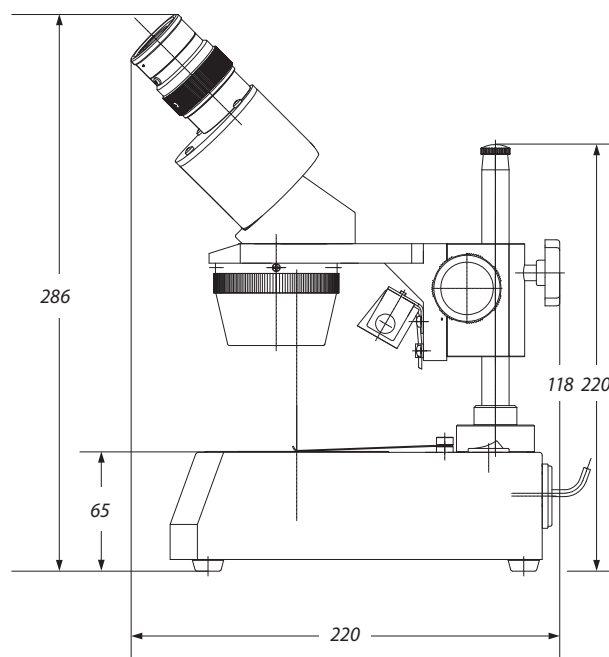
● AP-8 LED (E50-931)

AP-1	250 (h) x 120 (w) x 170 mm (d) 1.4 kg
AP-2	220 (h) x 120 (w) x 170 mm (d) 2.0 kg
AP-7 LED / AP-8 / AP-8 LED	286 (h) x 120 (w) x 190 mm (d) 2.4 kg

PACKAGING

- Supplied with power cord/adaptor, dust cover, a spare fuse and user manual
- All packed in a polystyrene box

DIMENSIONS



MODELS	Vertical head	45° head	2x objective	1x/3x objective	2x/4x objective	Transmitted tungsten illumination	Incident tungsten illumination	Transmitted LED illumination	Incident LED illumination
50.890 AP-1	•		•						
50.900 AP-2	•		•						
50.926 AP-7 LED		•		•				•	•
50.930 AP-8		•			•	•	•		
50.931 AP-8 LED		•			•			•	•



● AP-1 (E50-890)



● AP-2 (E50-900)



● AP-7 LED (E50-926)



● AP-8 (E50-930)

ACCESSORIES AND SPARE PARTS

EYEPIECES

- ED.6005** Pair of wide field eyepieces WF 5x/22 mm
- ED.6010** Pair of wide field eyepieces WF 10x/20 mm
- ED.6110** Micrometer eyepiece WF 10x/20 mm, 10 mm/100
- ED.6015** Pair of wide field eyepieces WF 15x/16 mm
- ED.6020** Pair of wide field eyepieces WF 20x/10 mm
- ED.6099** Pair of eyecups

MISCELLANEOUS

- 50.871** Black/White stage plate 94 mm diameter
- 50.873** Glass stage plate 94 mm diameter
- ED.9956** Black/White stage plate 60 mm diameter (AP1, 2, 3 and 4)
- 50.882** Spare halogen bulb 12 V (transmitted illumination)
- 50.884** Spare bulb 10 W 12 V for AP-series
- 50.975** External 100-240 V mains adapter
- AE.1112** Stage 76 x 26 mm micrometer slide, 50 mm divided in 500 parts, 100 µm per division

DISPOSABLES

- PB.5245** Lens cleaning paper, 100 sheets per pack
- PB.5274** Iso propyl alcohol 99%, 200 ml
- PB.5275** Cleaning kit: lens fluid, lint free lens tissue/paper, brush, air blower, cotton swabs



● Transparent stage plate for transmitted illumination


www.euromex.com