

BlueScope

HIGHLIGHTS

- WF 10x/20 mm eyepieces
- Models with an integrated 5.0 MP CMOS camera, with a 7" LCD screen or tablet
- Universal USB-C 5V charging port
- Smart storage compartment
- Slot for polarization filter
- Integrated mechanical X-Y stage
- Color-coded height adjustable condenser
- Köhler illumination
- Dual colored illumination: 3 W white & halogen colored NeoLED™
- Quick focus aid
- 10 Years warranty

SPECIFICATIONS

EYEPIECE(S)

Wide field WF 10x/20 mm secured eyepieces

The eyepiece of monocular models is supplied with pointer

HEAD

- Monocular models with 45° inclined tubes
- Binocular and trinocular models have 30° inclined tubes, interpupillary distance is adjustable between 48 and 75 mm and equipped with diopter adjustments ± 5 on both eyepieces
- All heads are 360° rotatable. The trinocular head has a fixed light path beam splitter (50:50) and generates an erect image
- The BlueScope can also be supplied with a discussion head
- Models with an integrated 5.0 MP CMOS camera, with a 7" LCD screen or tablet available (See chapter 8)

NOSEPIECE

Reversed quadruple nosepiece on ball bearings

OBJECTIVES - 45 MM PARFOCAL

- All models are supplied with Semi Plan 4x/0.10, 10x/0.25 and S40x/0.65 objectives. The S40x, S60x (optional) and S100x (optional) objectives are spring loaded

All optics are anti-fungus treated and anti-reflection coated for maximum light throughput

FOCUSING

- Coaxial coarse and fine adjustments with 100 graduations
- Precision 2 μm per graduation, 0.2 mm per rotation
- Total travel range is approximately 10 mm
- Supplied with an adjustable rack stop to prevent damage to sample and objectives
- Improved coarse & fine adjustment, which is equipped with tension control
- With quick focusing aid for finding the slides focusing region with ease



● BL.1152

BL.XXX1 MONO	370 (h) x 169 (w) x 205 mm (d) 2.8 kg
BL.XXX2 BINO	365 (h) x 169 (w) x 205 mm (d) 4.2 kg
BL.XXX3 TRINO	409 (h) x 169 (w) x 205 mm (d) 4.3 kg

STAGE

Rackless 140 x 135 mm stage with mechanical 70 x 50 mm X-Y translation stage

CONDENSER

Color coded, height adjustable Abbe condenser N.A. 1.25 with iris diaphragm and filter holder

KÖHLER ILLUMINATION

Köhler illumination ensures the highest possible contrast and the maximum achievable resolving power. It generates a uniform illumination of the sample and eliminates all interference from dust on lenses and side glare of the light source

DUAL ILLUMINATION SYSTEM



- 3 W white NeoLED™: 6000 – 6500 K, ideal for standard observations with crisp, cool lighting
- 3 W halogen colored NeoLED™: 3000 – 3200 K, enhances contrast for specific applications such as transparent objects

MODELS	Mono	Bino	Trino	Digital	Digital tablet	Digital 7" LCD	4/10/40x objectives	S60x objective	S100x objective	Mechanical X-Y Stage	Dual color NeoLED™
BL.1051	•						•			•	•
BL.1151	•						•		•	•	•
BL.1651	•						•	•		•	•
BL.1152		•					•		•	•	•
BL.1652		•					•	•		•	•
BL.1153			•				•		•	•	•
BL.1653			•				•	•		•	•
BL.1055	•			•			•			•	•
BL.1057		•		•			•			•	•
BL.1057-T		•			•		•			•	•
BL.1050-LCD						•	•			•	•

QUICK FOCUS AID

The BlueScope is equipped with a quick focus aid

ANTI-THEFT SLOT

At the back of the microscope a Kensington Security slot is placed, which can be used to secure the instrument from theft

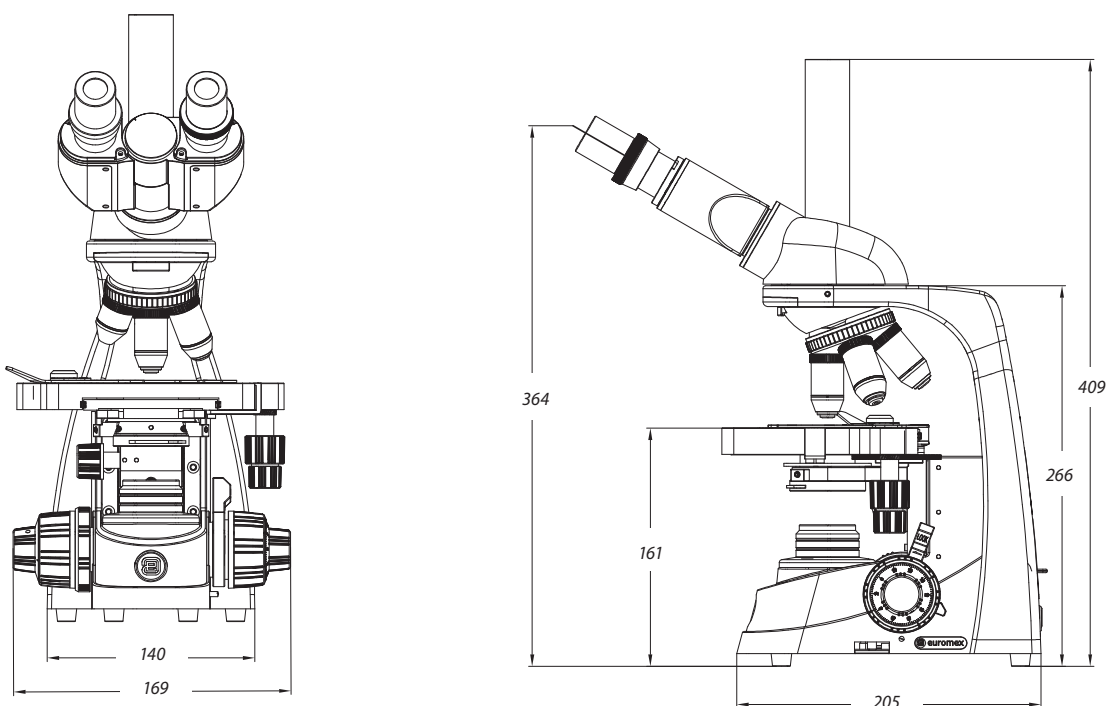
PACKAGE CONTENT

Supplied with blue filter, Allen key, 5 ml immersion oil, 100-240 Vac / 5 Vdc USB multi-plug power adapter, 3 rechargeable type AA batteries, manual and dust cover



● The back of the BlueScope

DIMENSIONS



BlueScope

DIGITAL

HIGHLIGHTS

- Monocular and binocular models
- Full digital models with a 7" LCD screen
- Models with a windows tablet
- Dual Illumination System: white & halogen colored LED
- Universal USB-C 5V Power
- Built-in digital 5.0 MP USB-2.0 camera
- 10 Years warranty (2 years on camera)

SPECIFICATIONS

CAMERA

Sensor	5.0 MP 1/2.5 inch CMOS USB-2.0
Format	1/2.5 inch
Color depth	24 bits
Resolution	2592 x 1944 pixels (7 fps) 1280 x 960 pixels (27 fps)*
Dynamic range	76 dB
signal/noise ratio	41 dB

Supplied with USB-2.0 cable and a micrometer 1mm/100 calibration slide

SOFTWARE

- The capture and analysis ImageFocus Alpha software allows to save images in .jpg, .tif, .bmp or .dicom formats as well as .avi format videos
- Measurements and annotations can be done on live or captured images
- Compatible with Windows 10 and higher, both 32 and 64 bits configurations
- A Mac OS version is also available
- Free software can be downloaded from our website

MODELS WITH TABLET AND 5 MP CAMERA

- The 5.0 MP CMOS camera ensures excellent color reproduction
- The camera is connected to a Windows tablet PC
- Vivid color graphic display for enabling visualization of microscopic samples
- With the great features of our ImageFocus image analysis software
- The tablet represents a 2-in-1 solution as it can be disconnected and used as a real windows tablet
- Being Windows-based and due to its large touch screen of 10.1" users are sure to have responsive and smooth control
- Software and camera as above (5 MP + ImageFocus Alpha)



● BL.1057-T

MODELS WITH LCD SCREEN

- Also available with a 7" LCD screen, with all the features of the regular BlueScope
- This screen allows live viewing, saving images and videos directly to a micro SD card
- It has a basic line measurement function included
- Screen resolution 1920 x 1080 @ 30 fps,
- Image resolution up to 1844 x 1080 in JPG
- Video resolution 1280 x 720 AVI format

* Frame rates were determined at optimal conditions

The HD LCD screen can only be operated as a stand alone



● BL.1050-LCD

ACCESSORIES

EYEPIECES

Ø 23.2 mm tube

- BL.6010** WF 10x/20 mm eyepiece
- BL.6010-P** WF 10x/20 mm eyepiece with pointer
- BL.6010-M** WF 10x/20 mm eyepiece with micrometer scale
- BL.6015** WF 15x/13 mm eyepiece
- BL.6020** WF 20x/12 mm eyepiece
- BL.6025** WF 25x/8 mm eyepiece
- BL.6099** Pair of eyecups

OBJECTIVES

SMP Semi Plan objectives

- BL.7104** 4x/0.10 SMP objective. WD 16 mm
- BL.7110** 10x/0.25 SMP objective. WD 4.60 mm
- BL.7120** 20x/0.40 SMP objective. WD 0.90 mm
- BL.7140** S40x/0.65 SMP objective. WD 0.68 mm
- BL.7160** S60x/0.85 SMP objective. WD 0.60 mm
- BL.7100** S100x/1.25 oil immersion objective. WD 0.21 mm

WD = working distance

MISCELLANEOUS

- BL.9700** Blue filter
- BL.9710** Frosted white filter
- BL.9981** 3 W NeoLED™ replacement unit
- BL.9900** Aluminum case
- AE.9918** Nylon microscope bag



www.euromex.com